



Separate-vacuum Hopper Loader

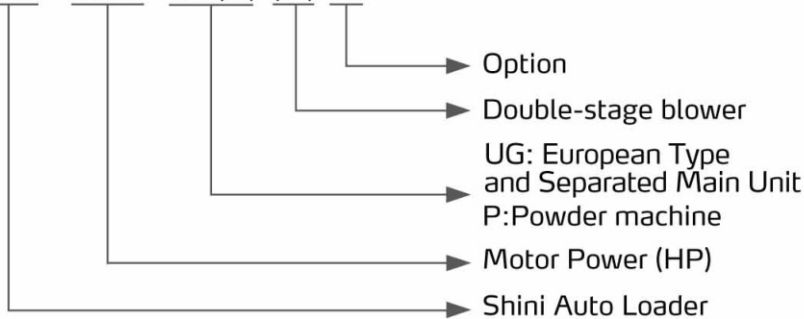
SAL-5HP-UG & SHR-24U



Refer carefully to this manual before operation.

■ Coding Principle

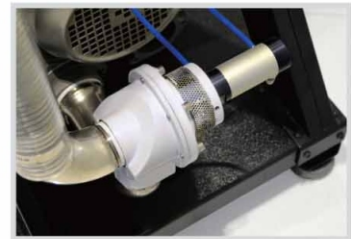
SAL - xxHP-UG(P)-(D)-xx



SAL-5HP-UG&SHR-24U-E

■ Features

- Data backed up on EPROM in case of power failure and does not require back up battery.
- It consists of a cyclone dust separator and a dust collective bin to effectively reduce the load of filter.
- Function for setting regrind mix ratio via optional SPV-U.
- Standard equipped with alarm lamp.
- SAL-5HP-UG and models above, all series of SAL-UGP are standard equipped with the vacuum breaking valve to protect the blower.



Vacuum breaking diaphragm valve

■ Application

SAL-UG series separate-vacuum hopper loaders collocated with stainless steel hopper ensures no material contamination. Adopt high-pressure blower to be main power, which features large suction power, long service life that is uneasy to damage.

SAL-UGP series separated-vacuum hopper loaders are based on the SAL-UG and can be customized to equip with different filter powder hoppers, especially suitable for 30% and 100% powder loading.

■ Options

Air accumulator auto purging device



In the case of much impurity or recycled materials included in raw materials, main unit can be equipped with air accumulator auto purging device as options, and add "A" at the end of the model code. (Suitable for SAL-5HP-UG and models above)

Cyclone dust separator



Cyclone dust separator is available for SAL-1HP-3HP-UG.

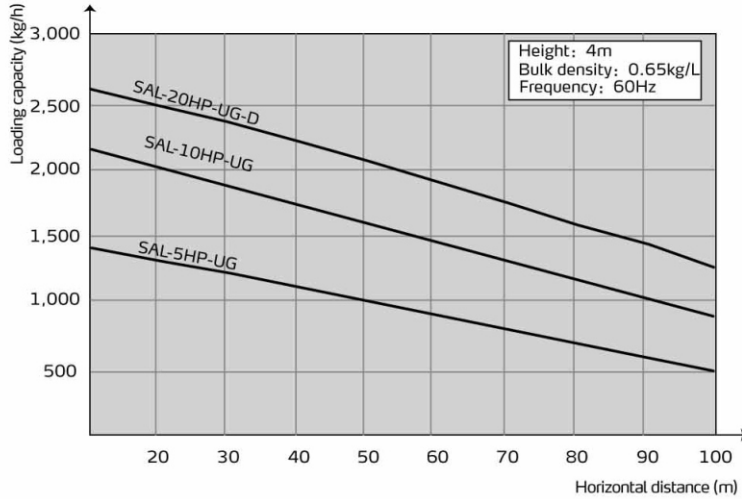
Buzzer



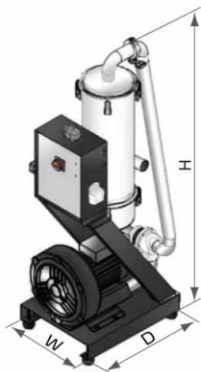
Buzzer is available as an option. Add "B" at the end of the model code.

SAL-UG/UGP Series

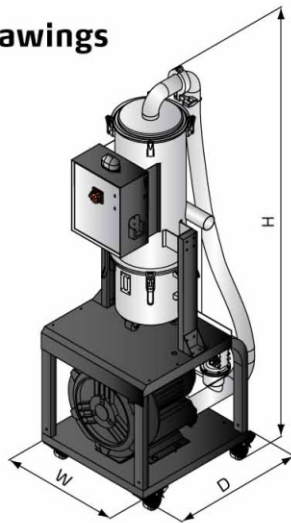
■ SAL-UG Loading Capacity



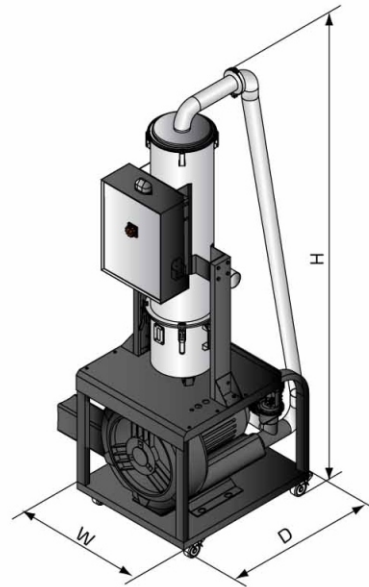
■ SAL-UG Outline Drawings



5HP
(Main Unit)

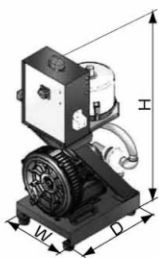


10HP
(Main Unit)

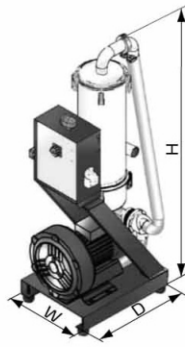


20HP (Main Unit)

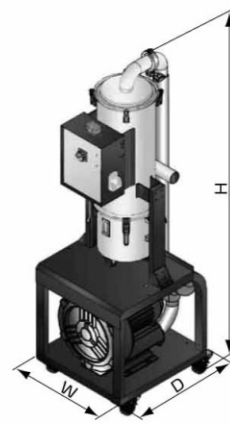
■ SAL-UGP Outline Drawings



1~3HP (Main Unit)



5HP (Main Unit)



10HP (Main Unit)



SAL-UG Specifications

Main Unit							Hopper Receiver				Conveying Pipe Dia. (inch)	Air Suction Pipe Dia. (inch)	Conveying Capacity		
Model	Motor Power(kW) (50/60Hz)	Specifi- cation	Dimension H × W × D		Weight		Applied to	Hopper Capacity		Weight					
			mm	inch	kg	lb		L	gal	kg			lb	kg/hr	lb/hr
SAL-5HP-UG	3.75/ 4.2	3Φ	1380×470×600	54.3×18.5×23.6	74	163	SHR-24U ×1	24	6.4	9	20	2	2	1000	2205
SAL-5HP-UG-D			1380×670×600	54.3×26.4×23.6	76	168				SHR-24U-E ×1	13				
SAL-10HP-UG	7.5/ 8.6	3Φ	1850×580×790	72.8×22.8×31	160	353	SHR-36U ×1	36	9.5	11	24	2	2.5	1600	3527
SAL-10HP-UG-D			1850×750×890	72.8×29.5×35	162	357				15	33				
SAL-20HP-UG-D	13/ 18.7	3Φ	2270×745×1000	89.4×29.3×39.4	236	520	SHR-48U ×1	48	12.7	15	33	2.5	3	2000	4409

Notes: 1) "SHR-U-E" stands for photosensor hopper receiver, "SHR-U" refers to vacuum hopper receiver.

2) Test condition of conveying capacity: Plastic material of bulk density 0.65kg/L(5.5lb/gal), dia. 3~5mm/0.12~0.2inch, vertical conveying height: 4m/13.1feet, horizontal conveying distance: 5m/16.4feet.

3) Power supply: 3Φ, 230/400/460/575V, 50/60Hz

SAL-UGP Specifications (With cloth filter, this series is suitable for conveying materials containing 30% powder.)

Main Unit			Hopper Receiver								Filter Cloth Quantity	(Main Unit) H×W×D		
Model	Motor Power (kW, 50/60Hz)	Specifi- cation	Applied to	Conveying Pipe Dia. (inch)	Air Suction Pipe Dia. (inch)	Hopper Capacity		Hopper Dia.		Conveying Capacity				
						L	gal	mm	inch	kg/hr		lb/hr		
SAL-1HP-UGP	0.75/0.85	3Φ	SHR-P-12U	1.5	1.5	12	3.2	Φ270	Φ10.6	300	661	3	1000×400×500	39.4×15.7×19.7
SAL-2HP-UGP	1.5/1.8	3Φ	SHR-P-30U			30	7.9	Φ380	Φ15	400	882			
SAL-3HP-UGP	1.85/2.0	3Φ	SHR-P-60U	2	2	60	15.9	Φ440	Φ17.3	650	1433	10	1380×470×600	54.3×18.5×23.6
SAL-5HP-UGP	3.75/4.2	3Φ								1200	2646			
SAL-5HP-UGP-D													1380×670×600	54.3×26.3×23.6
SAL-10HP-UGP	7.5/8.6	3Φ	SHR-P-90U	2.5	2.5	90	23.8	Φ550	Φ21.7	2000	4409	19	1830×585×675	72×23×26.6
SAL-10HP-UGP-D													1830×740×675	72×29×26.6

We reserve the right to change specifications without prior notice.

SAL-UGP Specifications (With plate filter, this series is suitable for conveying materials containing 100% powder.)

Main Unit			Hopper Receiver								Filter Cloth Quantity	(Main Unit) H×W×D		
Model	Motor Power (kW, 50/60Hz)	Specifi- cation	Applied to	Conveying Pipe Dia. (inch)	Air Suction Pipe Dia. (inch)	Hopper Capacity		Hopper Dia.		Conveying Capacity				
						L	gal	mm	inch	kg/hr		lb/hr		
SAL-1HP-UGP	0.75/0.85	3Φ	SHR-P-30U-1	1.5	1.5	30	7.9	Φ270	Φ10.6	300	661	1	1000×400×500	39.4×15.7×19.7
SAL-2HP-UGP	1.5/1.8	3Φ	SHR-P-30U-2											
SAL-3HP-UGP	1.85/2.0	3Φ	SHR-P-60U-3	2	2	60	15.9	Φ440	Φ17.3	650	1433	3	1380×470×600	54.3×18.5×23.6
SAL-5HP-UGP	3.75/4.2	3Φ								1200	2646			
SAL-5HP-UGP-D													1380×670×600	54.3×26.3×23.6
SAL-10HP-UGP	7.5/8.6	3Φ	SHR-P-90U-5	2.5	2.5	90	23.8	Φ550	Φ21.7	2000	441	5	1830×585×675	72×23×26.6
SAL-10HP-UGP-D													1830×740×675	72×29×26.6

Notes: 1) Test condition of conveying capacity: Use dried powder plastic material without any viscosity and its bulk density is 0.6kg/L(5.5lb/gal), vertical conveying height: 4m/13.1feet, horizontal conveying distance: 5m/16.4feet.

2) Power supply: 3Φ, 230/400/460/575V, 50/60Hz.

We reserve the right to change specifications without prior notice.